

APPLICATION:

PRODUCT NAME:
**SINGLE WALL SILL FAUCET W/ VACUUM
BREAKER, KEY HANDLE**

JOB NAME:

_____ SPECIAL CONFIGURATION

QUANTITY:

ITEM NO.:

MODEL: (CHECK BASE MODEL AND OPTIONS)

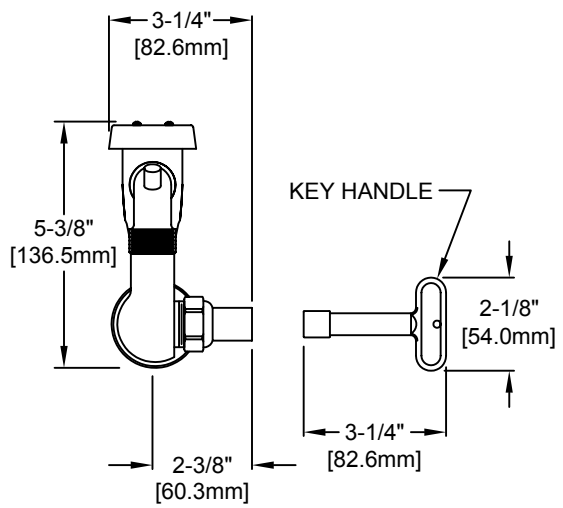
29548

OPTIONS OR MODIFICATIONS:
 SUPPLY LINES (24" OR 36") CIRCLE LENGTH
 NIPPLES
 ELBOWS
 OTHER _____

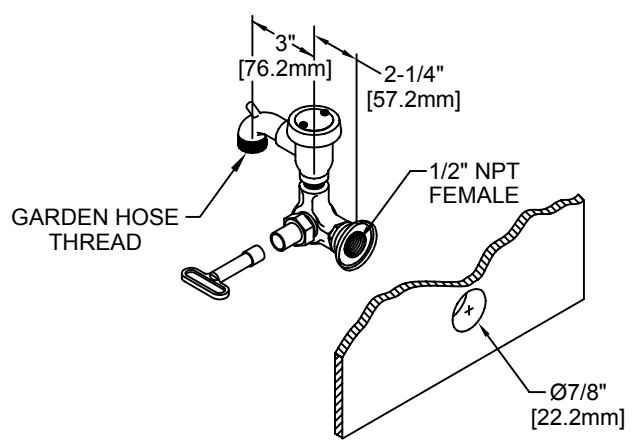
FEATURES:
* SINGLE WALL
* KEY HANDLE
* STEM - RIGHT HAND
* SWIVELLING SEAT DISKS
* STAINLESS STEEL SEATS
* STAINLESS STEEL SEAT SCREWS
* ATMOSPHERIC VACUUM BREAKER
* GARDEN HOSE THREADED SPOUT

SYSTEM LIMITS
* TEMP: 40°F MIN. TO 140°F MAX.
* PRESSURE 200 PSI MAX. STATIC
* 13.6 GPM AT 80 PSI

SHIPPING WEIGHT
* 2.25 LBS



ROUGH-IN:



ANSI/A112.18.1M



FISHER MANUFACTURING COMPANY
TOLL FREE: 800-421-6162 - FAX: 800-832-8238
information@fisher-mfg.com - www.fisher-mfg.com